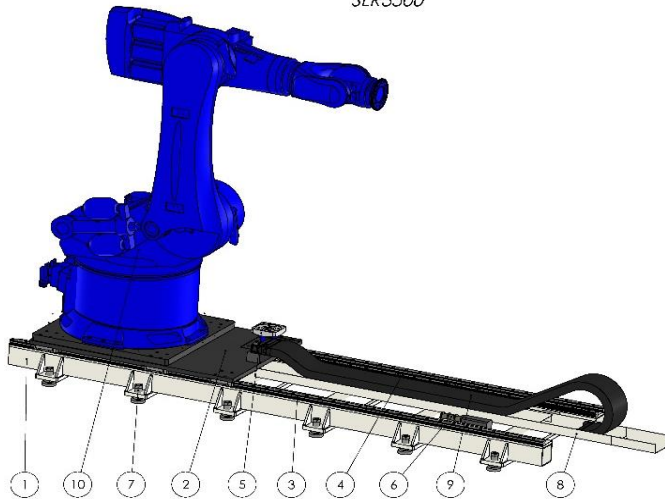




GUIDE WITH ROBOT ART. SLR3500

MAXIMUM SPEED	MINIMUM STOPPING DISTANCE	ROBOT PAYLOAD HEAVY	MAXIMUM CAPACITY robot weight+payload
m/sec.	mm	Kg	Kg
1	250	240-700	3500

SLR3500



NR DESCRIPTION OF BASIC COMPONENTS

- | | |
|----|---------------------------|
| 1 | Electrowelded steel frame |
| 2 | Robot fixing plane |
| 3 | Recirculating ball guide |
| 4 | Rack |
| 5 | Epicyclic reduction gear |
| 6 | Shock absorber |
| 7 | Adjustable feet |
| 8 | Catenary guide |
| 9 | Catenary |
| 10 | Robot |

BASIC GUIDE PLUS ROBOT, PRICE EX-WORKS

€ 75.000,00

- with ROBOT 350 Kg / R=2800 mm

DESCRIPTION OF ADDITIONAL COMPONENTS MODULES

Q.TY

- Linear guide in electrowelded structure complete of recirculating ball guide and rack (*minimum stroke)

1 meter*

• MODULE 1 METER, PRICE EX WORKS

€ 1.700,00

EXCLUSION

- Installation, wiring, debug and tests

- Price on request for robots of different sizes